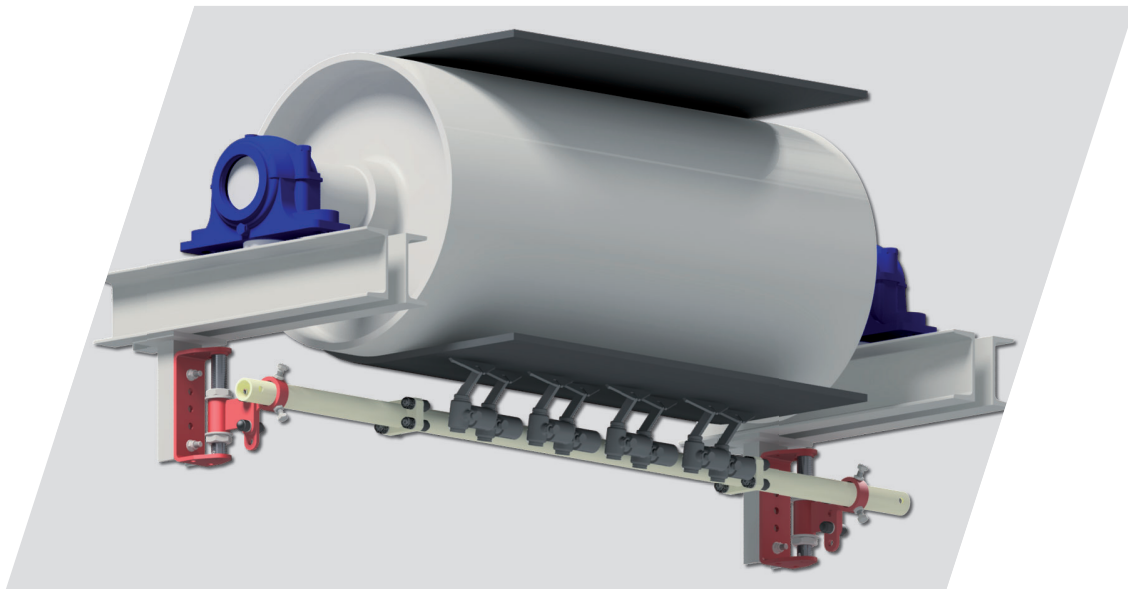


HOSCH SPRUNG BLADE SCRAPERS



TYPE **C1[®]** / **C1[®]V**

HOSCH Sprung Blade Scrapers Type C1[®]/C1[®]V

A new, revolutionary concept: “Intelligent technology”

The C series, which was launched on the market from 1992 to 1996, offers the best possible cleaning and economic efficiency. This could be proven in hundreds of comparative measurements worldwide.

The **HOSCH** sprung blade scrapers **Type C** boast the following exceptional features:

- Owing to the unique automatic adjustment, the modules independently adapt themselves to any belt or pulley surface. This is the key to their extraordinary cleaning efficiency.
- Designed to fit a broad range of belts, the C-series – including the C1[®], C2, C3, C4 and CT – is universally applicable for all belt widths and belt speeds.
- The scrapers C1[®] and CT are the only precision belt cleaners worldwide used in solo operation on the head pulley.

The **Type C** scraper series has significantly expanded **HOSCH’s** global position.

We invite you to visit our website www.hosch-international.com and receive some more detailed information.

HOSCH Services

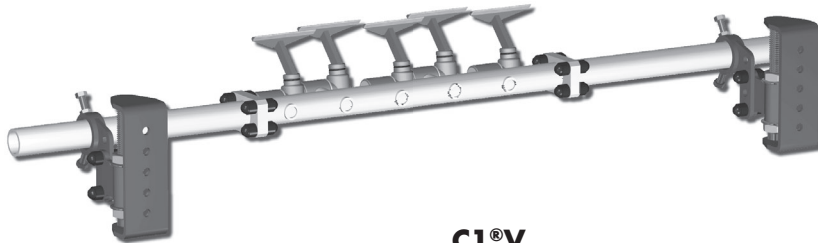
HOSCH will take care of you anywhere in the world. Please get in touch with us and we will come back to you – irrespective of where you are.

Our service comprises the following items:

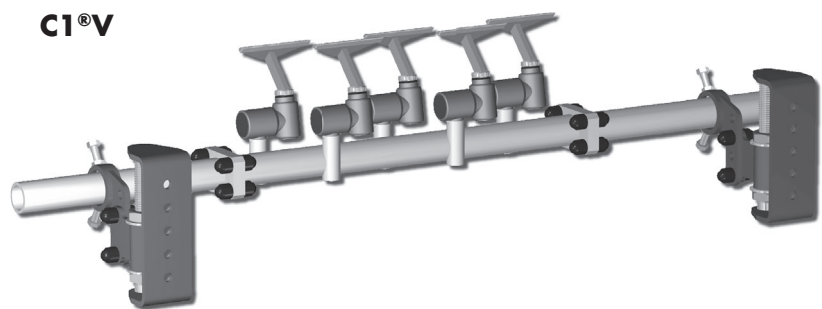
- Technical analysis of your conveyor belt systems.
- Selection of suitable belt cleaning and belt tracking systems.
- OEM support and CAD supported installation drawings.
- Installation, maintenance and service of **HOSCH** systems.
- Additional support for the operation of your conveyor belt such as
 - the compilation of belt plans and maintenance statistics
 - spare parts management.
- The collection of accurate data from service visits will enable cost saving opportunities to be identified and implemented.

Characteristics of the HOSCH Sprung Blade Scrapers Type C1®/C1®V

C1®



C1®V



- Bulk solids: Suitable for all types of bulk solids.
- CEMA Standards: Always fulfil highest requirements.
- Belt widths: 300 up to 1,000 mm
- Belt speeds: up to 2.5 m/s
- Belt types: For multi-ply nylon and steel-cord belts with a flat surface and vulcanized splicing (in special version for mechanical splicing).
- Reverse operation: Yes, in special version.
- Installation position: On the return side of the conveyor belt or on the head pulley.
- Cleaning modules: Tungsten-carbide tipped, spring-loaded modules with individual deflection function.
- Design: Modular scraper design, individual set-up suitable for most conveyor applications.
- Directions for use: For further technical information, please refer to the additional documentation available such as installation and operation manuals, dimension sheets, optional accessories and parts lists. Use in different operating conditions must be approved by **HOSCH**.

**HOSCH International (Pty) Ltd.**

Perth, Australia
tel: +61 8 9315 8000
e-mail: mail@hosch.com.au
web: www.hosch.com.au

**HOSCH Austria GmbH**

Vienna, Austria
tel: +43 (1) 22100-222
e-mail: office@hosch-austria.at
web: www.hosch-austria.at

**HOSCH do Brasil Ltda.**

Belo Horizonte, Brazil
tel: +55 31 3284-8068
e-mail: hosch@hosch.com.br
web: www.hosch.com.br

**HOSCH Chile S.p.A.**

Santiago, Chile
tel: +56 2 3263 7520
e-mail: info@hosch.cl
web: www.hosch-international.com

**HOSCH France S.A.R.L.**

Calais, France
tel: +33 1 64 13 63 60
e-mail: info@hosch.fr
web: www.hosch.fr

**HOSCH Fördertechnik RE GmbH**

Recklinghausen, Germany
tel: +49 2361 58980
e-mail: mail@hosch.de
web: www.hosch-international.com

**HOSCH (GB) Ltd.**

Thornaby, Great Britain
tel: +44 1642 751 100
e-mail: mail@hosch.co.uk
web: www.hosch.co.uk

**HOSCH Equipment (India) Limited**

Kolkata, India
tel: +91 33 3370 0400
e-mail: hosch@cal.vsnl.net.in
web: www.hosch-international.com

**PT. HOSCH Technology Indonesia**

Balikpapan, Indonesia
tel: +62 542 88 616 92
e-mail: indonesia@hosch-asia.com
web: www.hosch-asia.com

**HOSCH Italia S.R.L.**

Pontecagnano, Italy
tel: +39 089 849 052
e-mail: mail@hosch.it
web: www.hosch.it

**HOSCH Asia PLT**

Puchong, Malaysia
tel: +60 3 5879 9950
e-mail: mail@hosch-asia.com
web: www.hosch-asia.com

**HOSCH Techniki Transportowe Polska Sp. z o.o.**

Wrocław, Poland
tel: +48 71 321 92 21
e-mail: hosch@hosch.pl
web: www.hosch.pl

**HOSCH Fördertechnik (SA) (Pty) Ltd.**

Johannesburg, South Africa
tel: +27 11 826 6940
e-mail: sales@hoschsa.co.za
web: www.hoschsa.co.za

**HOSCH Iberia S.R.L.U.**

Barcelona, Spain
tel: +34 93 467 49 10
e-mail: hosch@hosch.es
web: www.hosch.es

**HOSCH Schweiz GmbH**

Rotkreuz, Switzerland
tel: +41 41 790 25 33
e-mail: info@hosch-schweiz.ch
web: www.hosch-international.com

**HOSCH COMPANY, LLLP**

Pittsburgh, USA
tel: +1 724 695 3002
e-mail: hosch@hoschusa.com
web: www.hoschusa.com

© HOSCH Fördertechnik Recklinghausen GmbH

No part of this publication may be reproduced, transmitted, transcribed, stored in any retrieval system or translated into any human or computer language by any means or in any form, without the prior written permission of HOSCH Fördertechnik Recklinghausen GmbH. Contravention of the owner's copyright may also reduce the ability of HOSCH Fördertechnik Recklinghausen GmbH to provide effective support for its equipment.

HOSCH Fördertechnik Recklinghausen GmbH reserves the right to make changes without notice to both this document and to its products described within this document. Nothing in this publication represents any contractual or other commitment on the part of HOSCH Fördertechnik Recklinghausen GmbH and should not be taken as such. All possible care has been taken in the preparation of this publication.

C1[®] is a trademark of HOSCH Fördertechnik GmbH, registered in the European Union.